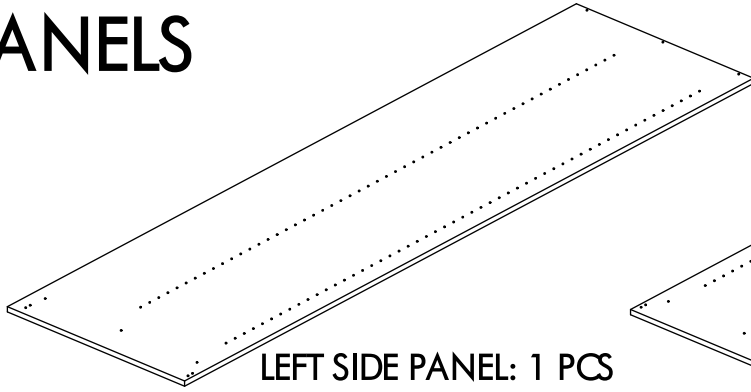


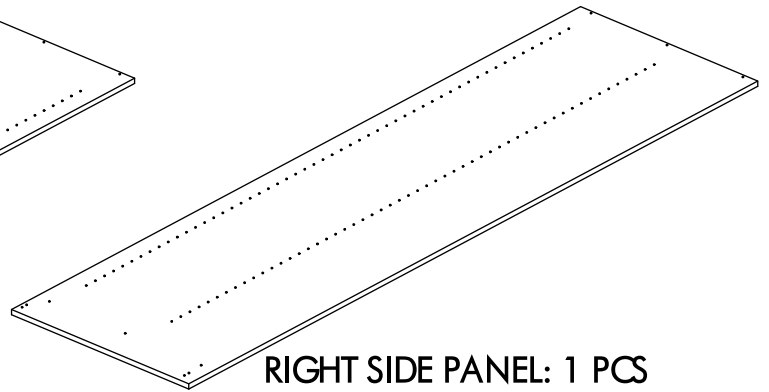
Freestanding Wardrobe Installation Instructions

Code: 30155

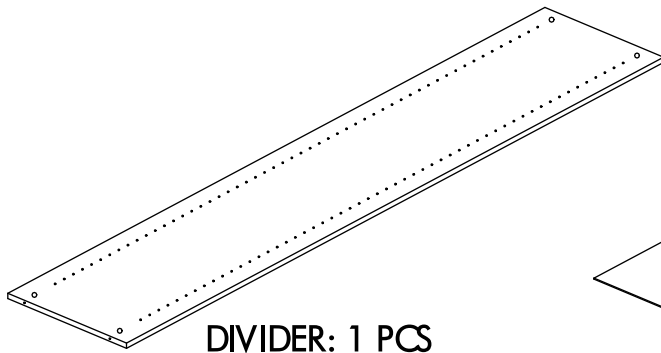
PANELS



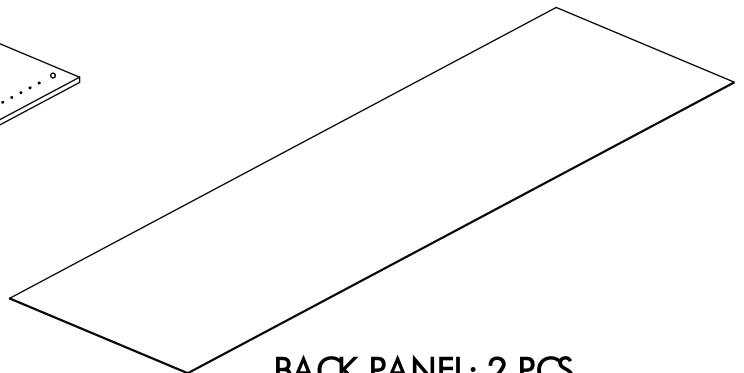
LEFT SIDE PANEL: 1 PCS



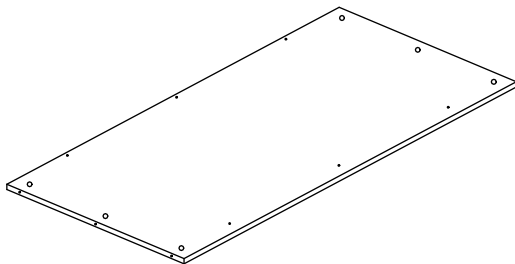
RIGHT SIDE PANEL: 1 PCS



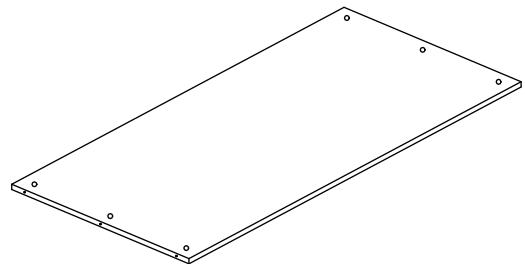
DIVIDER: 1 PCS



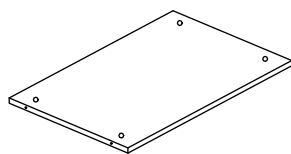
BACK PANEL: 2 PCS



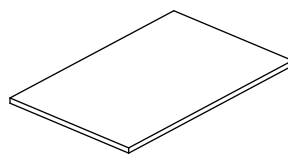
BOTTOM PANEL: 1 PCS



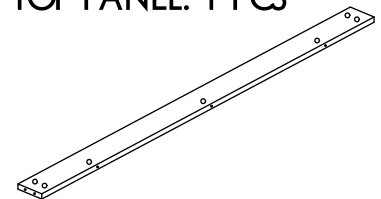
TOP PANEL: 1 PCS



FIXED SHELF: 2 PCS

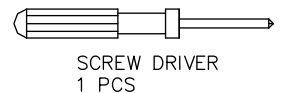
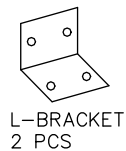
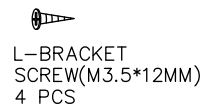
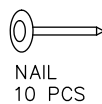
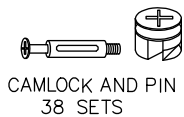


ADJUSTABLE SHELF: 2 PCS



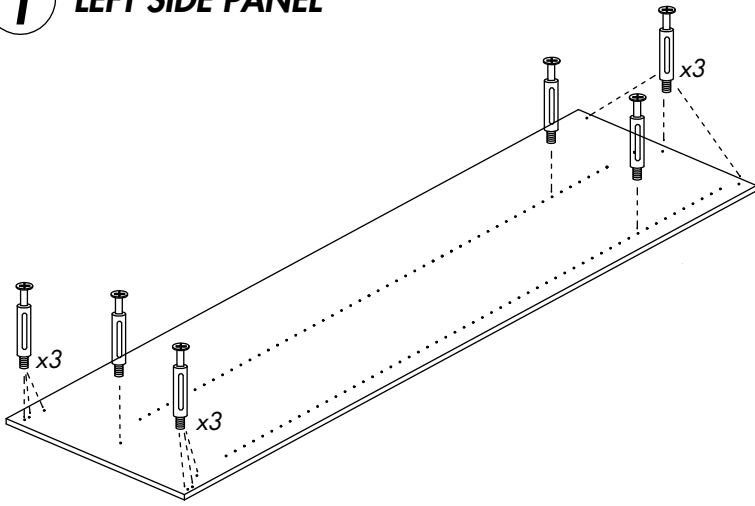
KICK BOARD: 2 PCS

CABINET FITTINGS

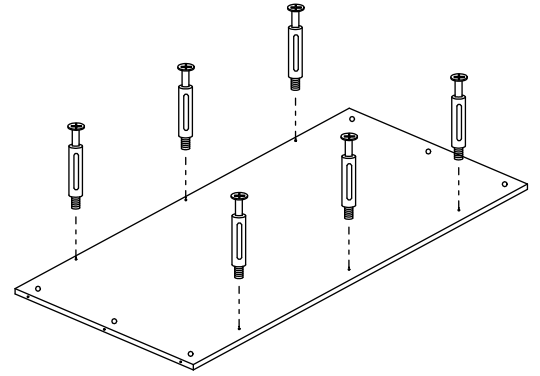


FREE HELPLINE - PHONE 0800 426 100

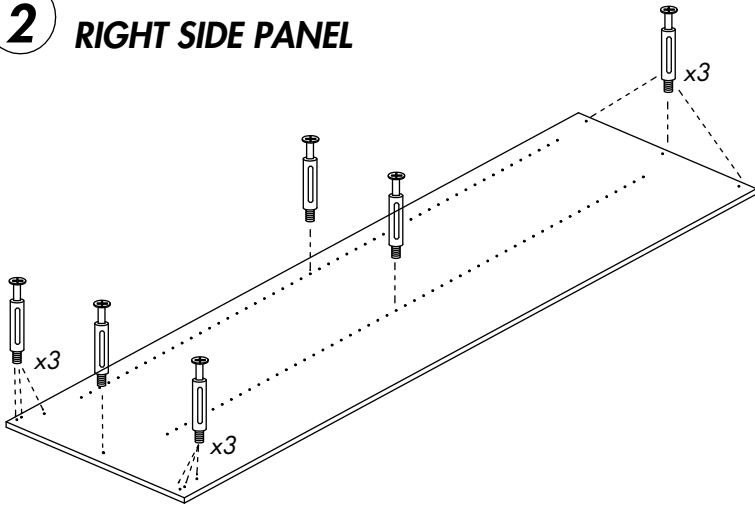
1 LEFT SIDE PANEL



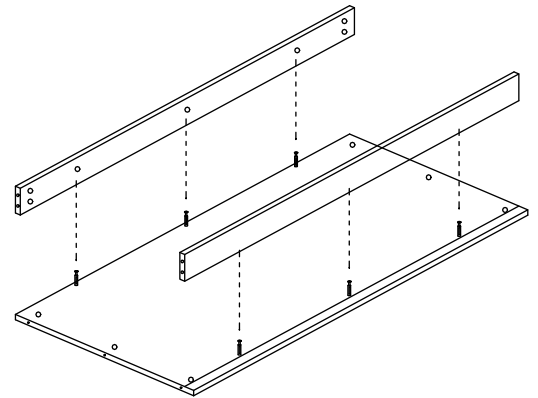
4 BOTTOM PANEL



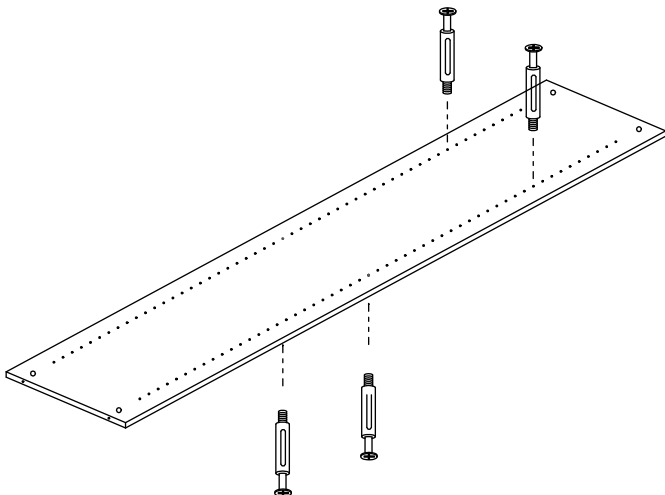
2 RIGHT SIDE PANEL



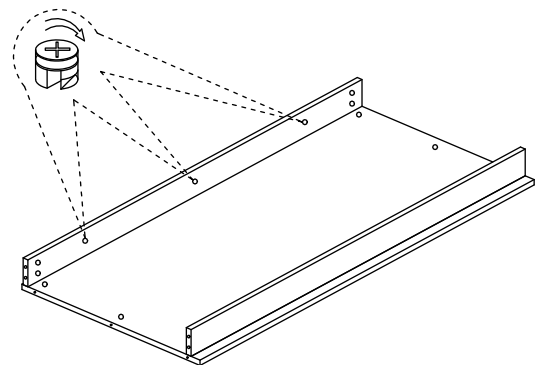
5 BOTTOM PANEL & KICK BOARDS



3 DIVIDER

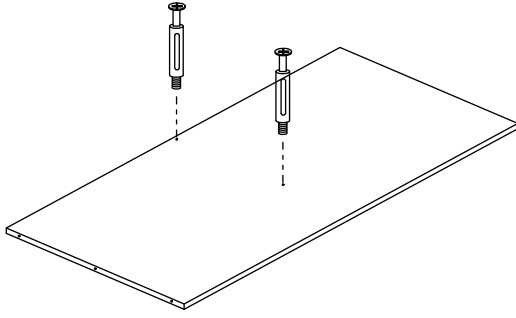


6 CAM LOCKS



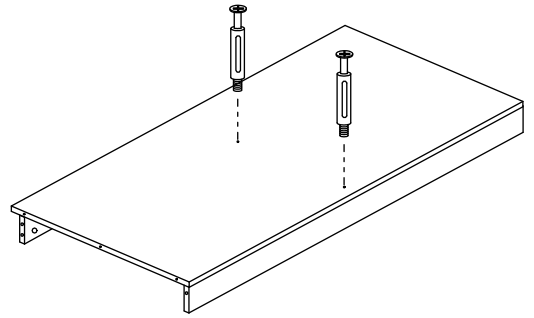
7

TOP PANEL



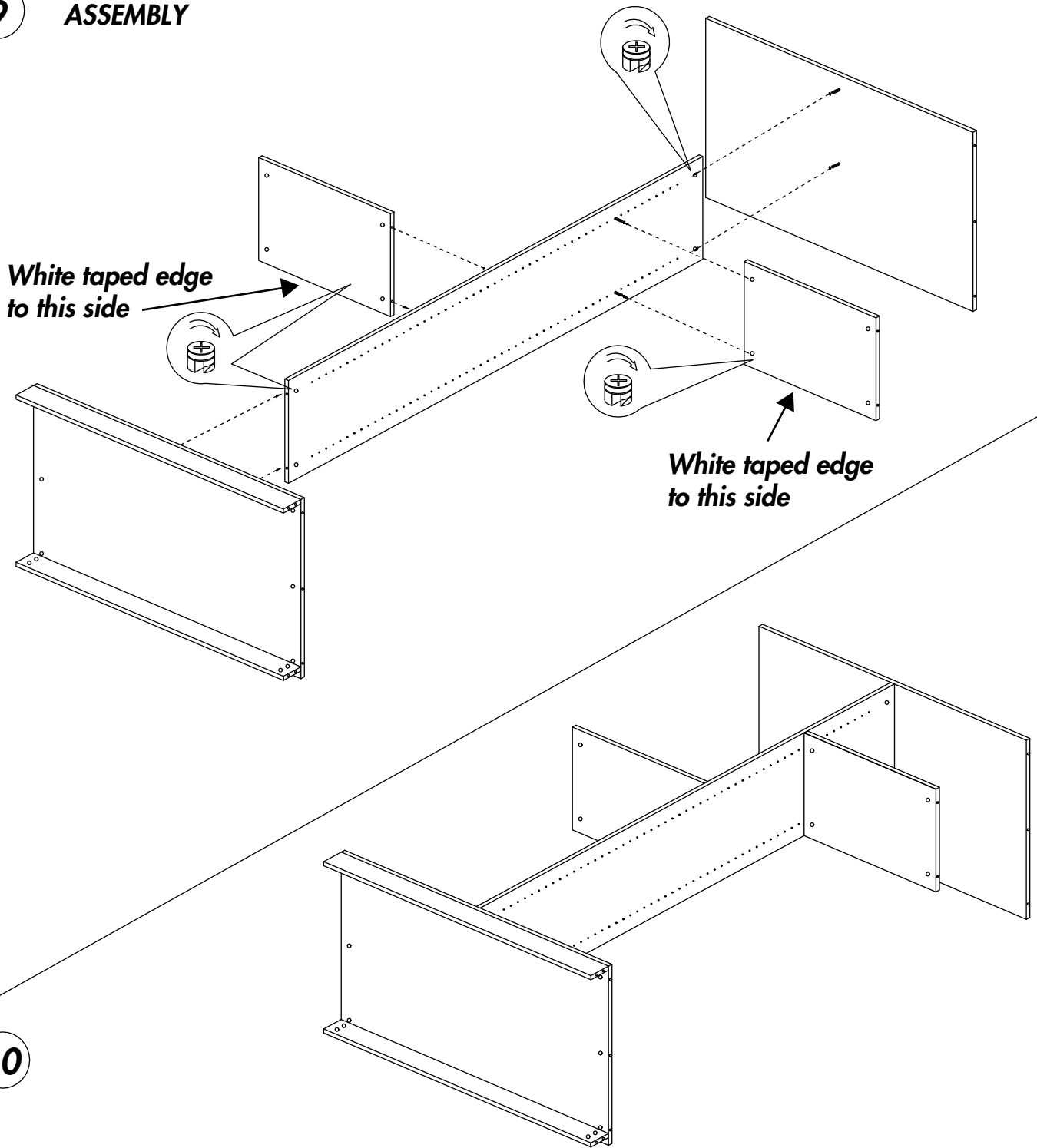
8

BOTTOM PANEL



9

ASSEMBLY

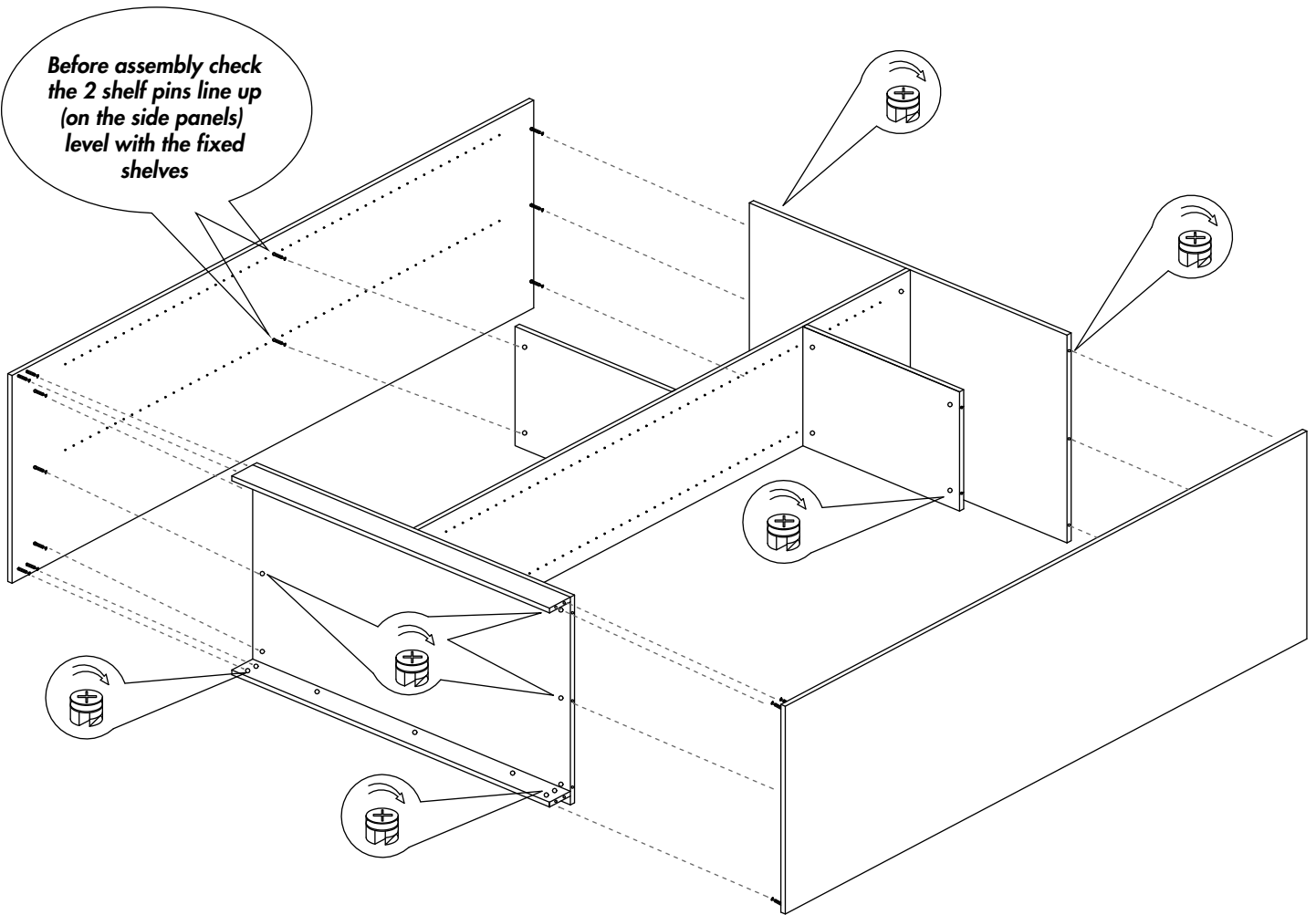


10

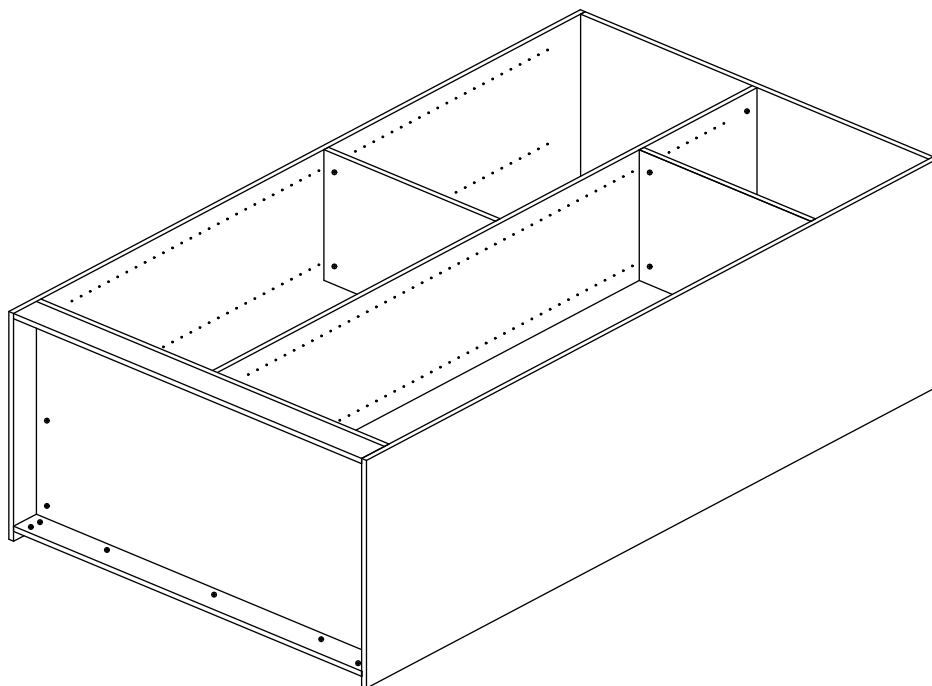
11

ASSEMBLE SIDE PANELS

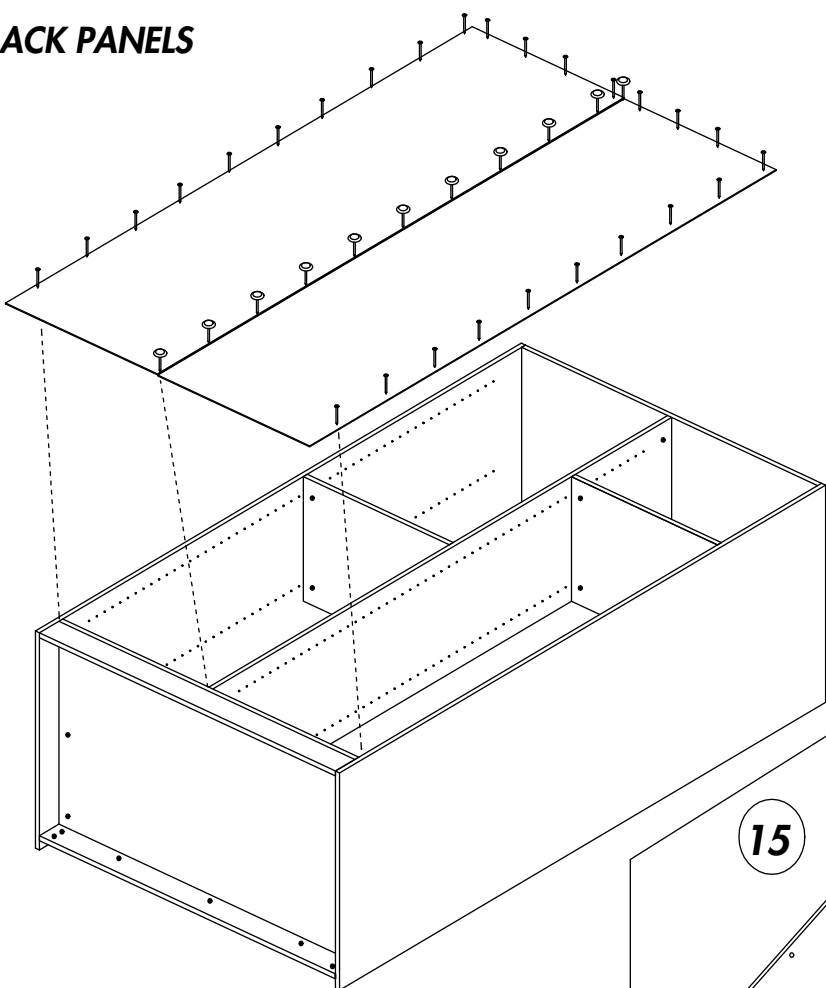
Before assembly check
the 2 shelf pins line up
(on the side panels)
level with the fixed
shelves



12

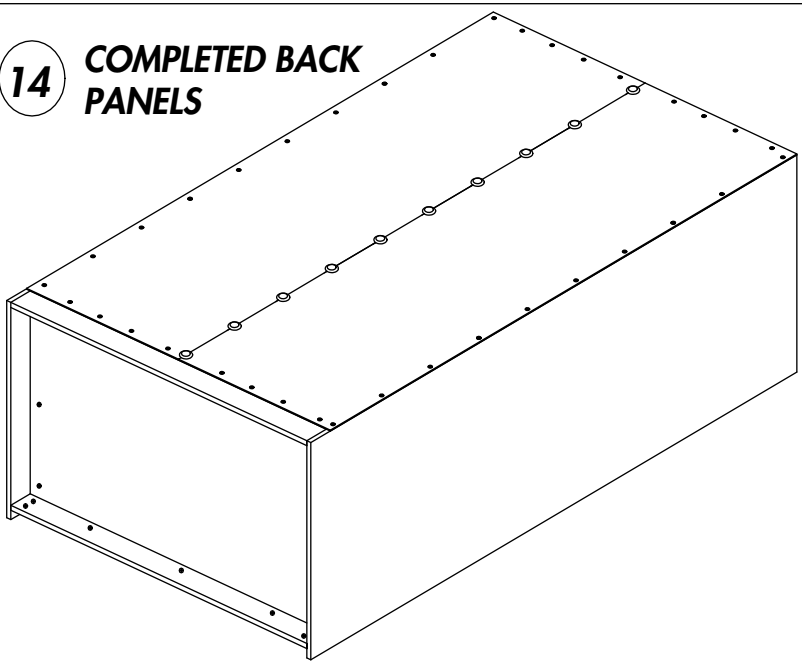


13 NAIL BACK PANELS

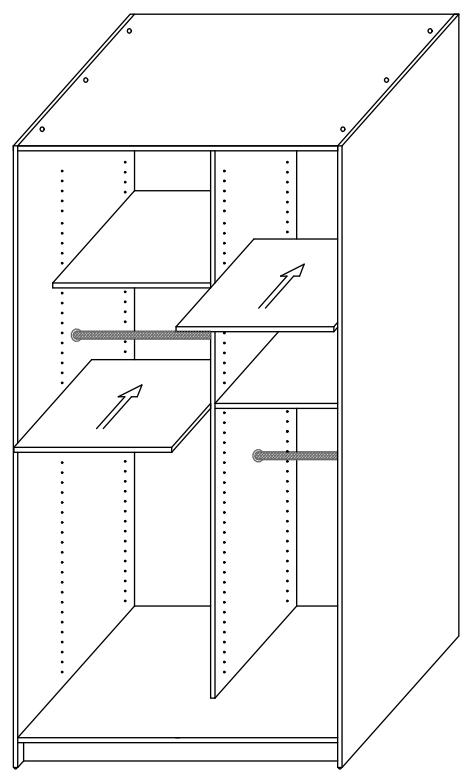


NOTE: Make sure the wardrobe is positioned square before nailing on the backing panels.

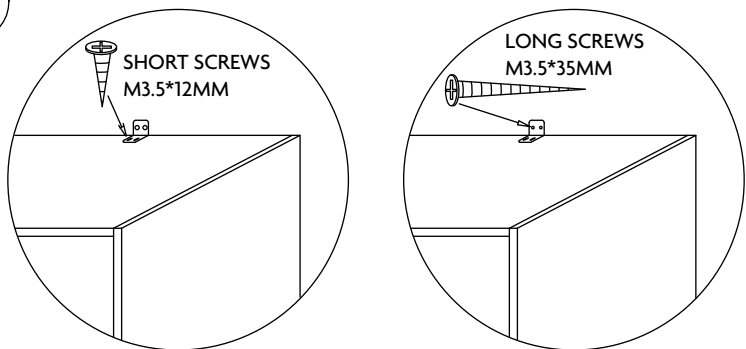
14 COMPLETED BACK PANELS



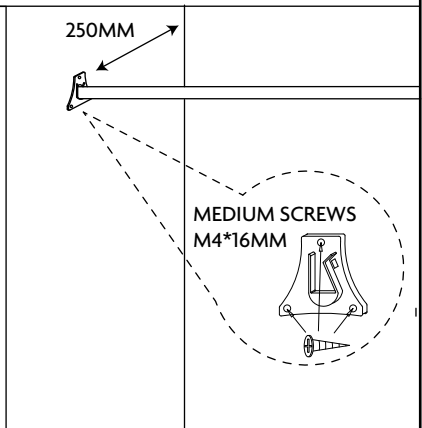
15 FIT ADJUSTABLE SHELVES using shelf support pins



16 FIT L-BRACKETS x 2



17 FIT HANGING RAIL BRACKETS



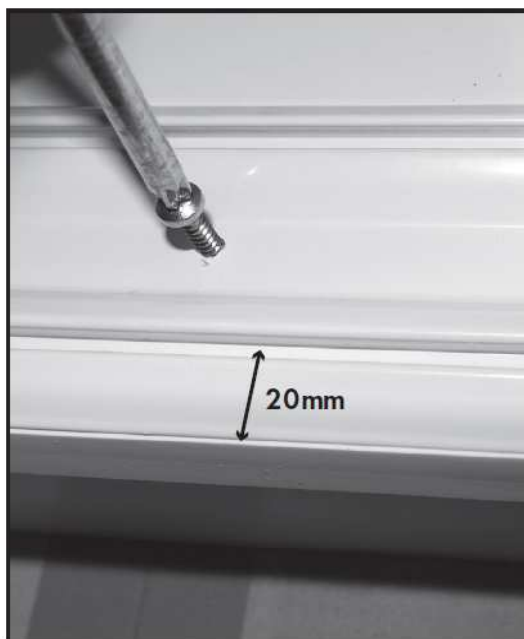
ABSOLUTE WARDROBE - DOORS

**Installing Doors and Runners
to your Absolute Freestanding
Wardrobe is simple
with this easy
6-step install guide!**

Note: Door hardware is supplied in the Track Pack.



Step 1 - Position the top door track flush with the front of the wardrobe and secure using the screws provided.



Step 2 - Position the bottom track ensuring it is placed 20mm in from the front of the wardrobe before securing. If a packer has been provided, this needs to be screwed/glued onto the hard surface before the bottom track.



Step 3 - Slip top of door into rear channel then set bottom onto the rear floor track. Repeat for second door using front channel and track.



Step 4 - Lift the door and position its bottom wheels into their corresponding guide on the wardrobe floor.



Step 5 - Adjust the ride height of each door with a Phillips screwdriver (clockwise to increase height).



Step 6 - To control movement, peel adhesive & place the brake into each track where you want the wheels on top of the doors to remain stationary.