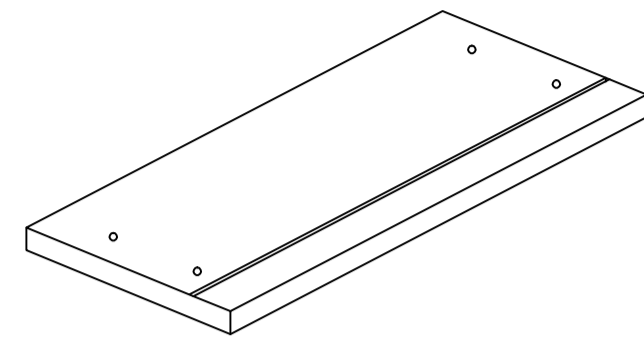
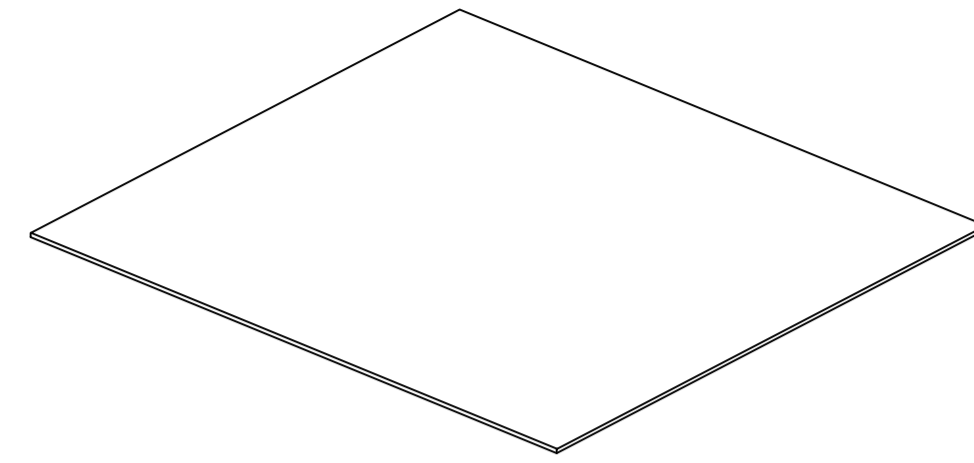


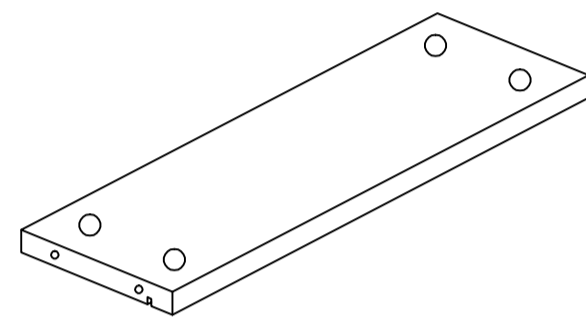
## DRAWER INSTRUCTIONS



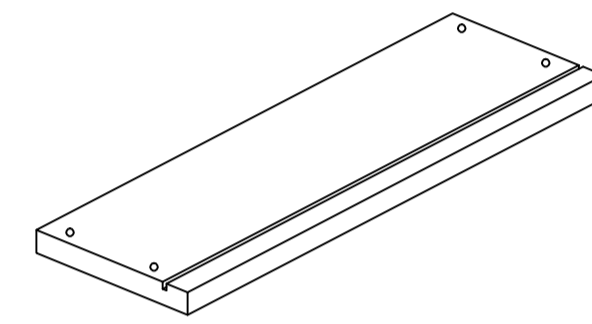
DRAWER FACING PANEL - 1 PC



DRAWER BOTTOM BOARD - 1 PC

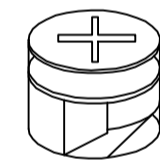


DRAWER SIDE PANEL - 2 PCS

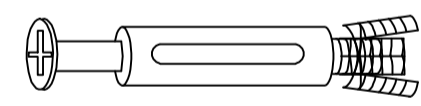


DRAWER BACKING PANEL - 1 PC

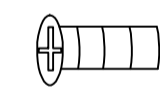
## DRAWER FITTINGS IDENTIFICATION



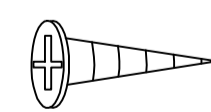
Cam-locks



Cam-pins

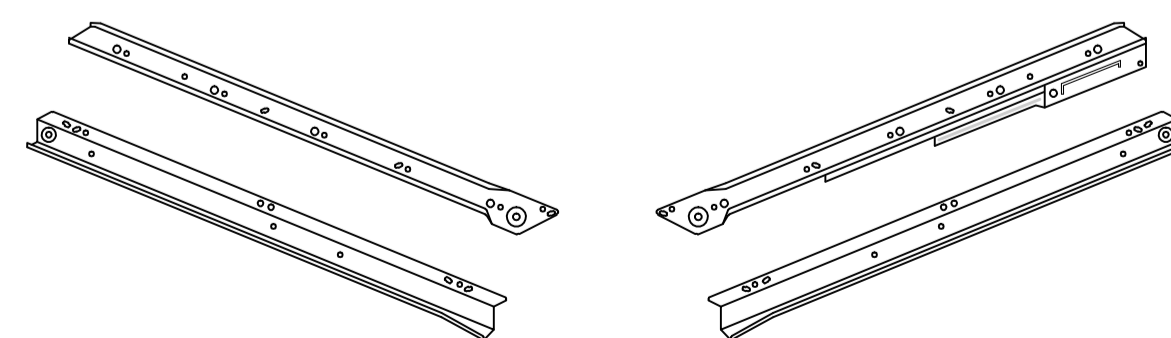


SCREW (M5\*8MM)  
Euro Screw for receiver runners

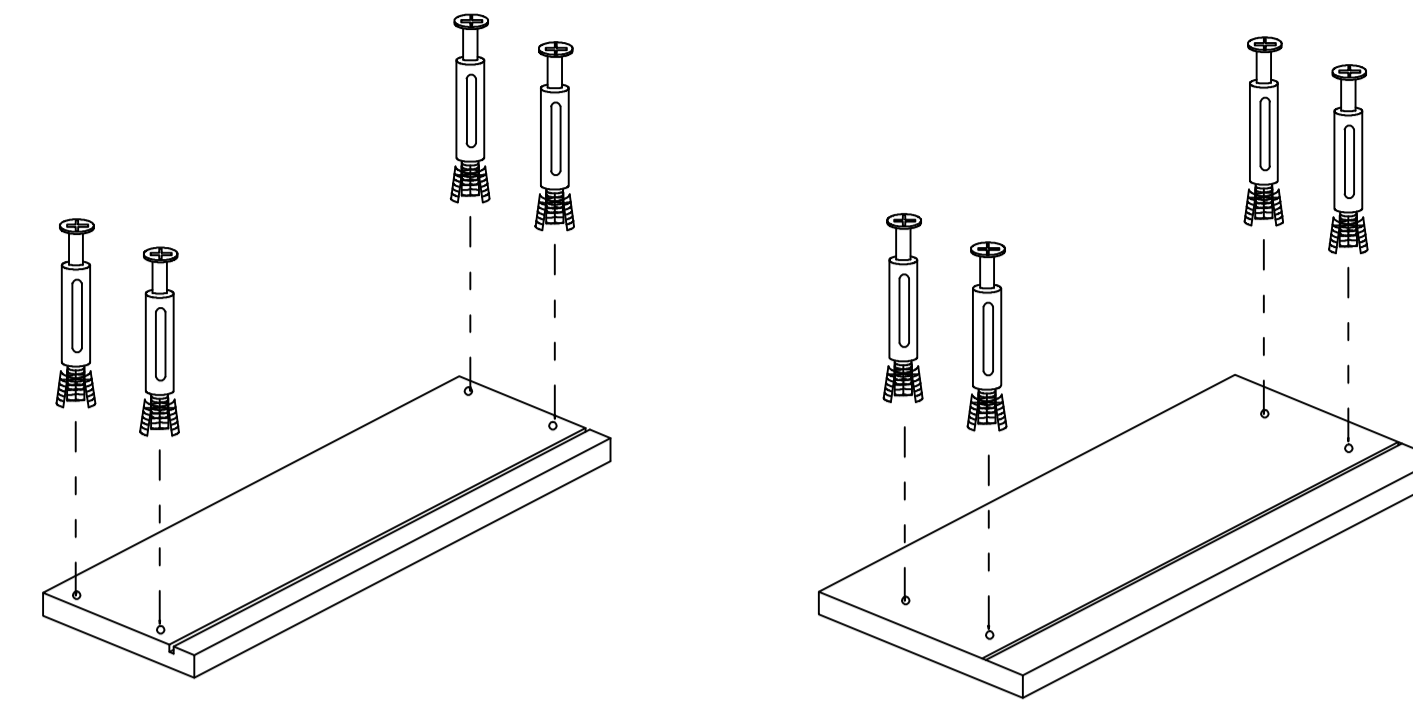


SCREW (M3.5\*12MM)  
for drawer runners

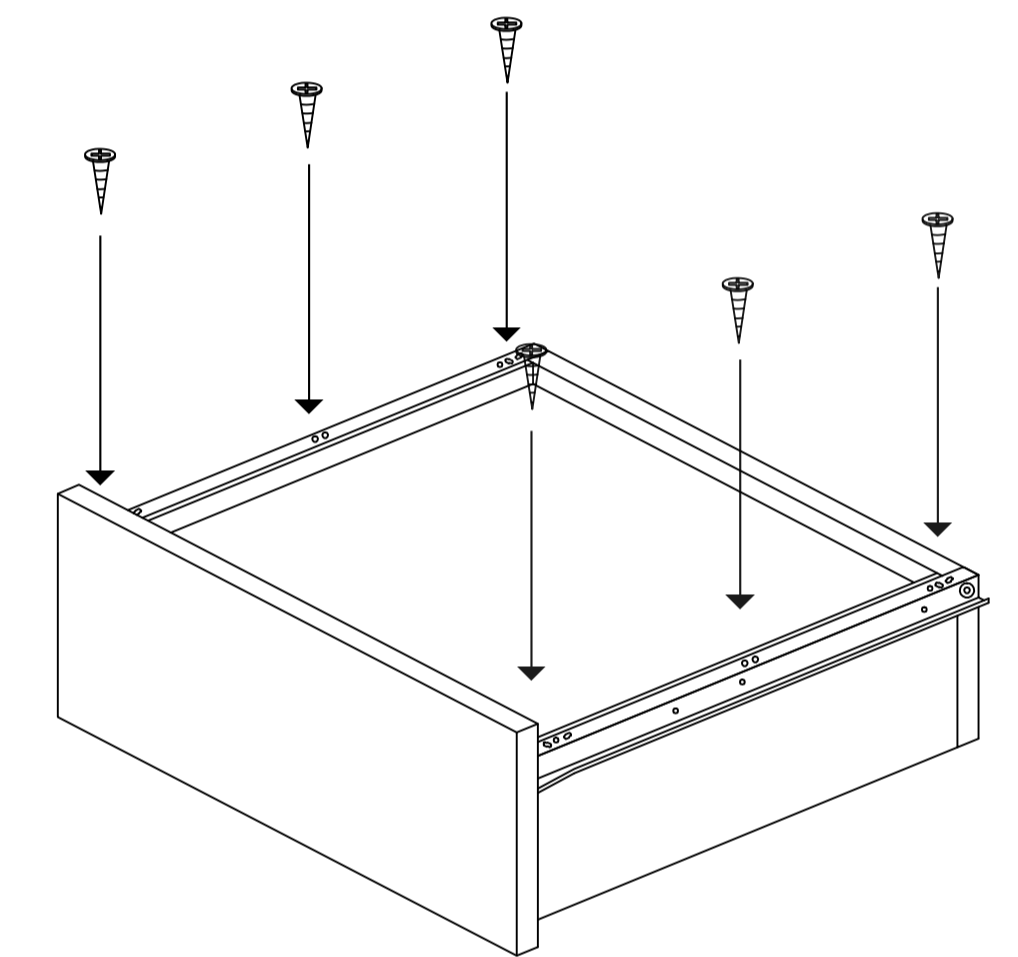
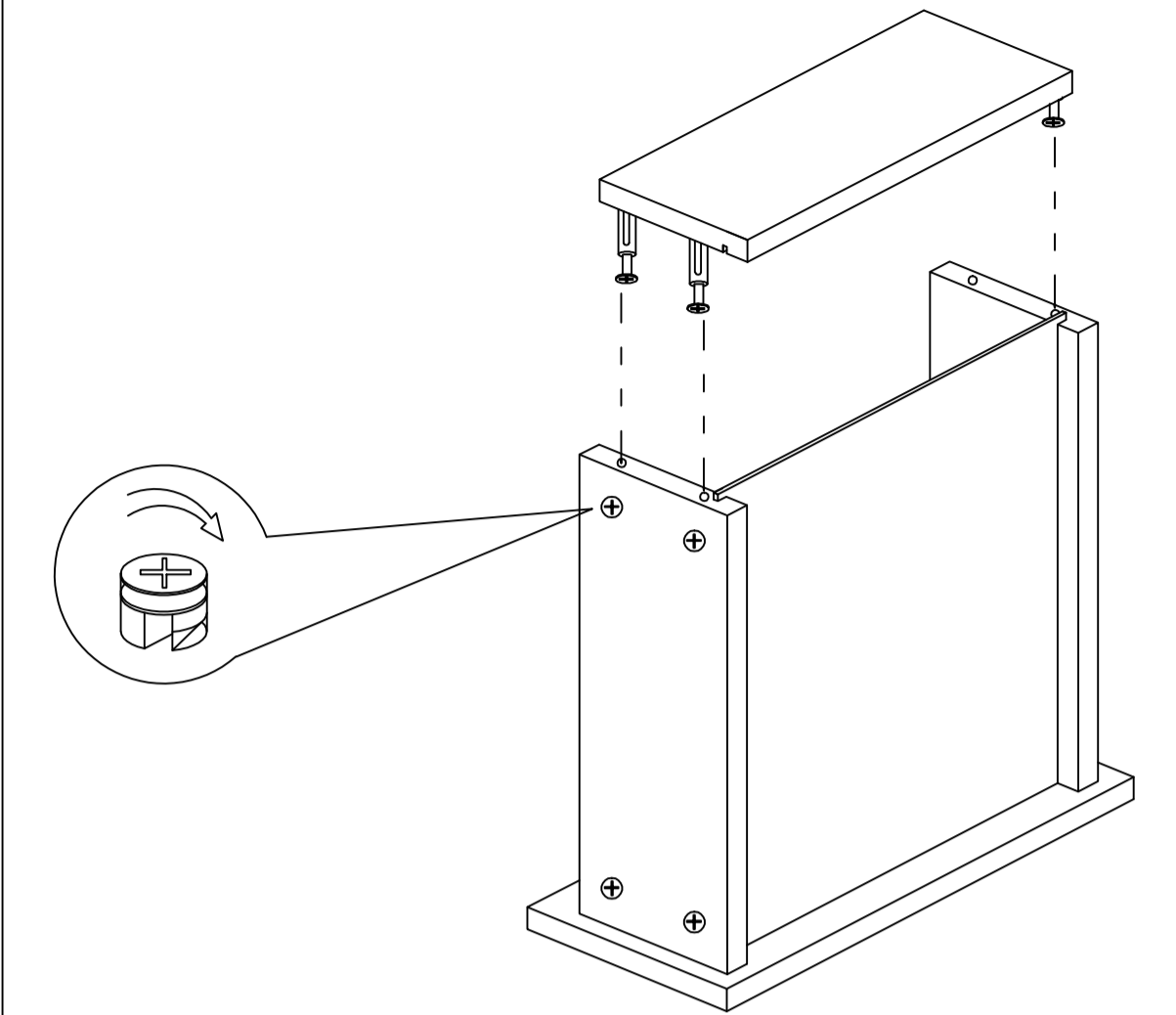
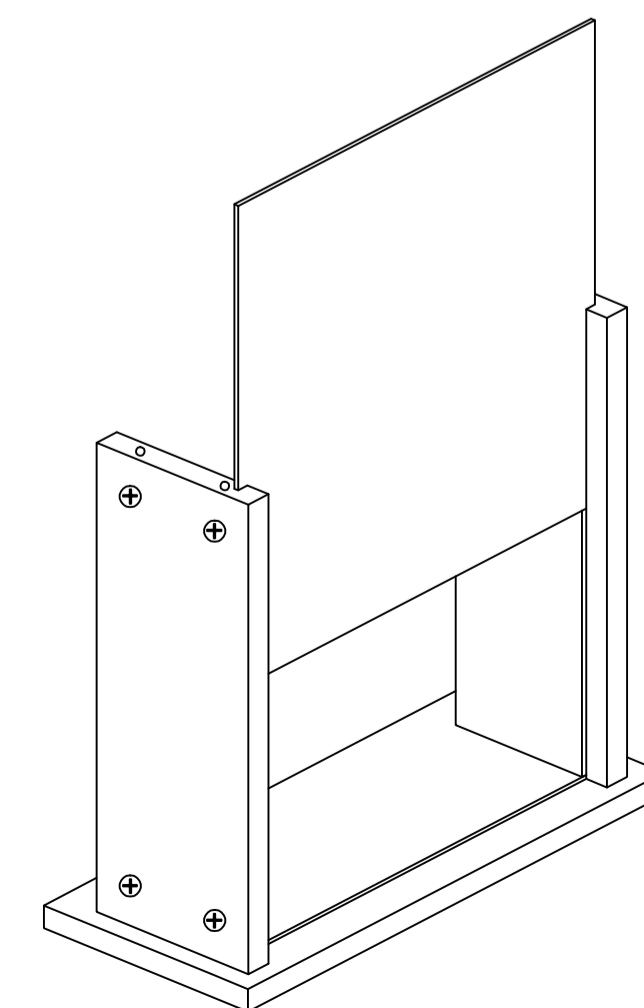
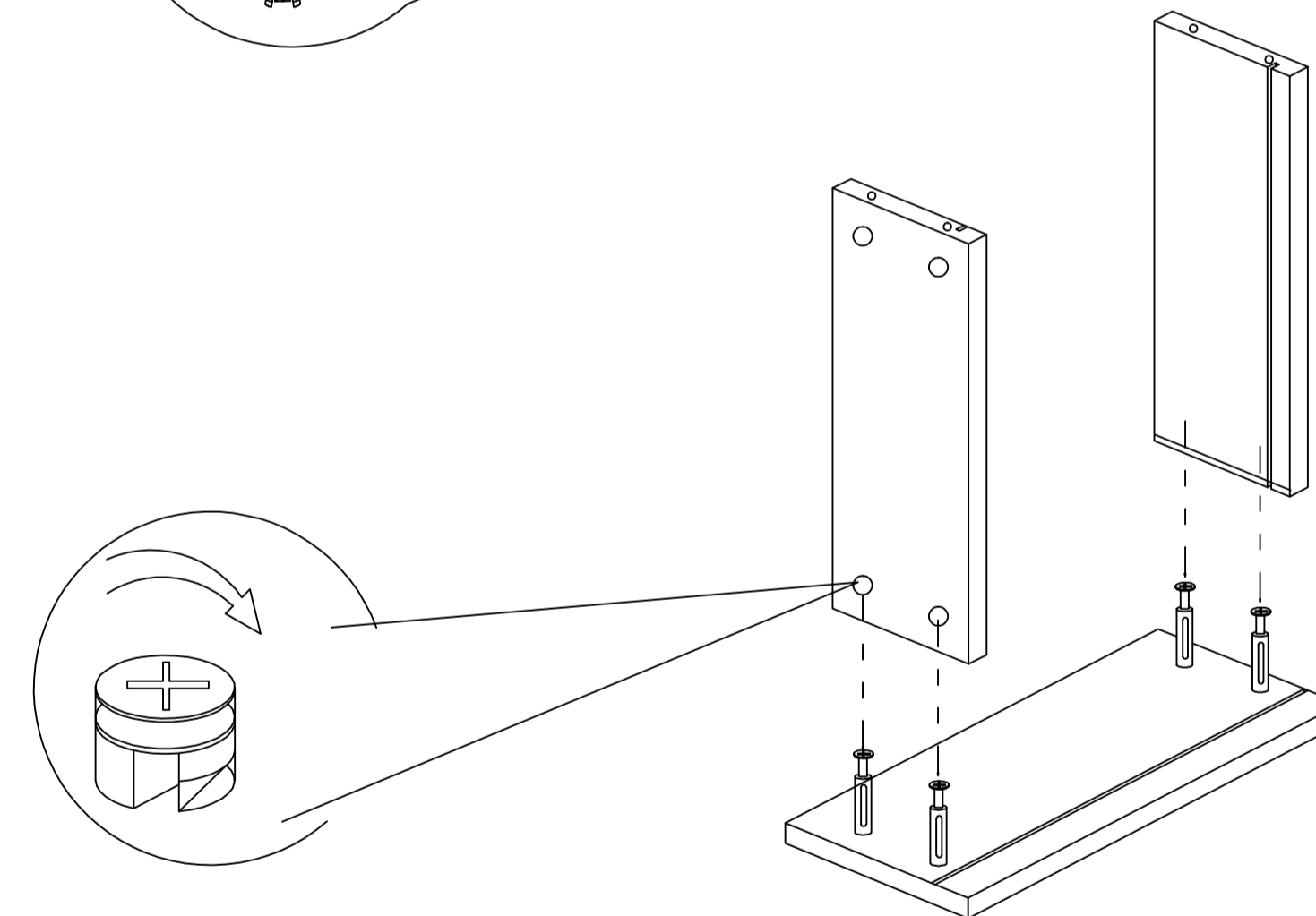
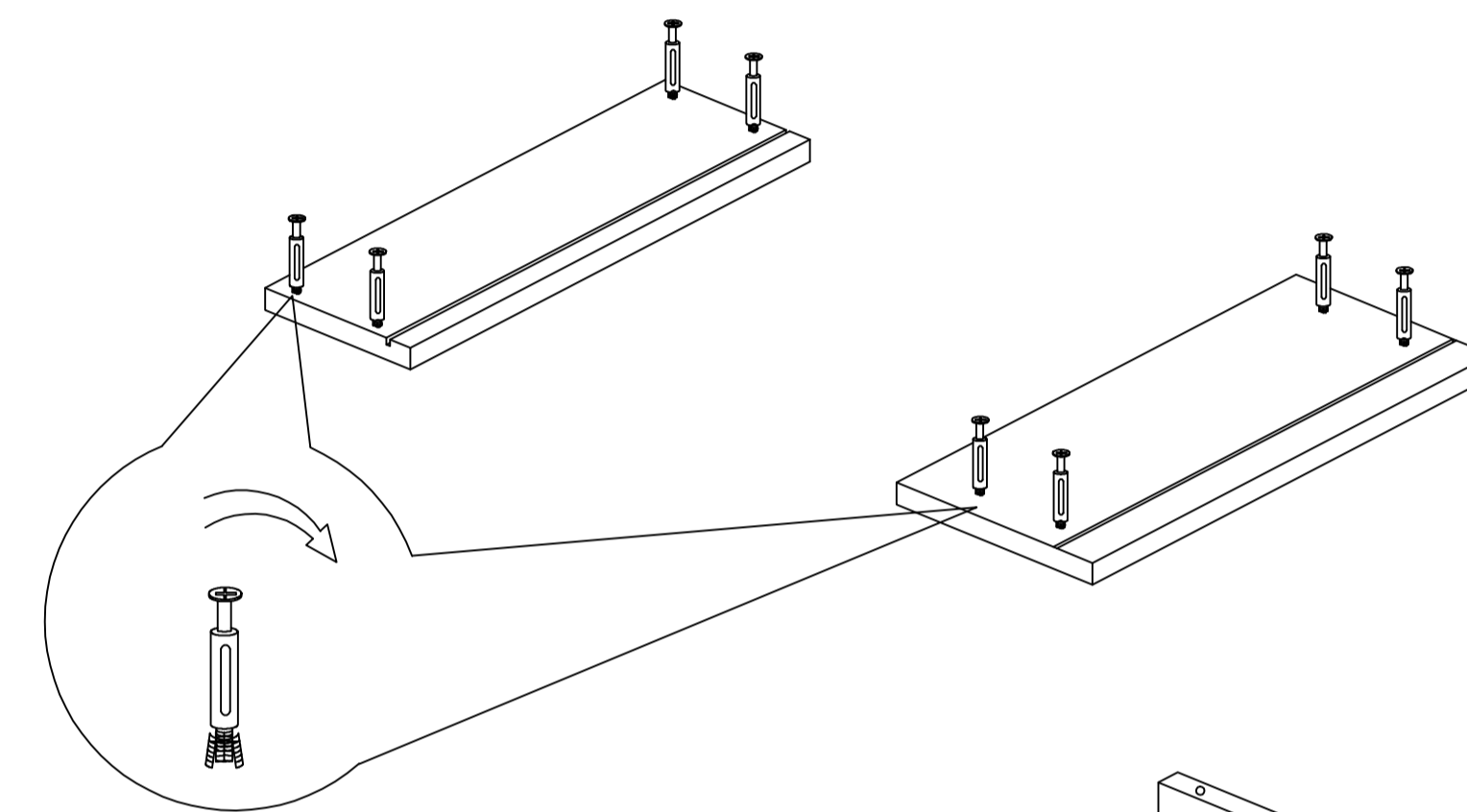
Receiver Runners



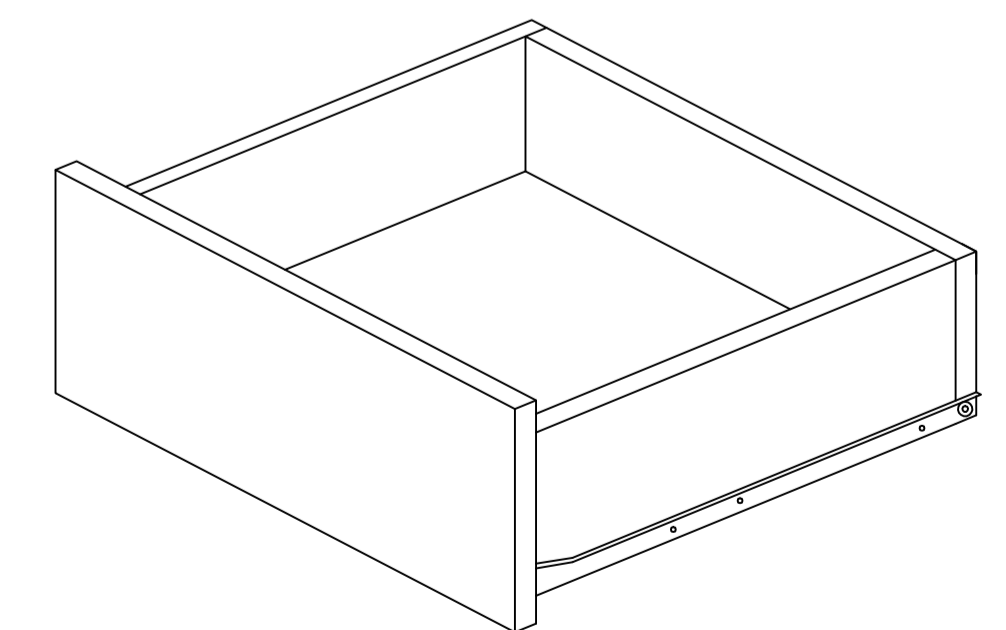
Drawer Runners



Tap cam-pins in place before  
tightening with screwdriver



Ensure wheels are facing the  
back of the drawer.  
Fix drawer runners with screws to  
underside of drawer (do not screw  
from the side of the drawer)



Lower drawer into receiver  
runner at a downwards angle then  
glide the rest of the drawer in.  
To engage the soft close feature,  
gently push the drawer fully inward.