

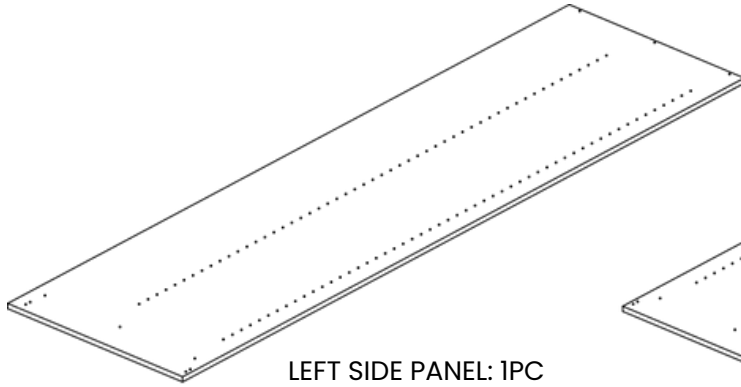
FREESTANDING WARDROBE - 1584

INSTALLATION INSTRUCTIONS

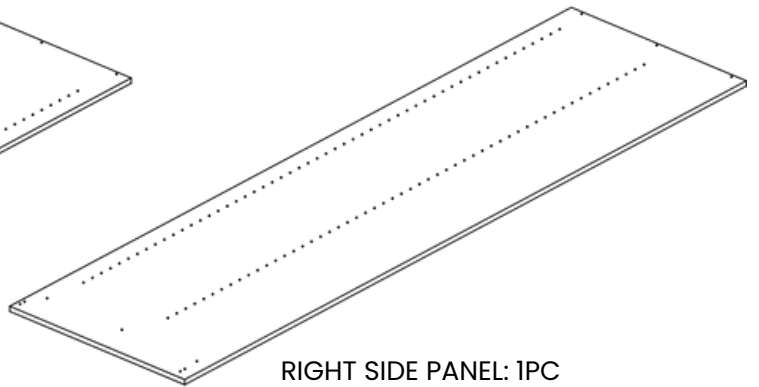
01-07-24

code: 30170C

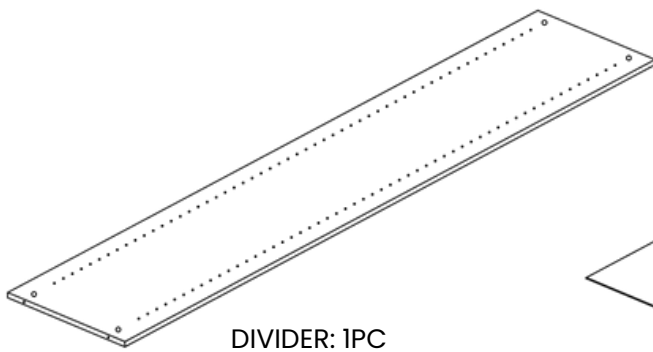
PANELS



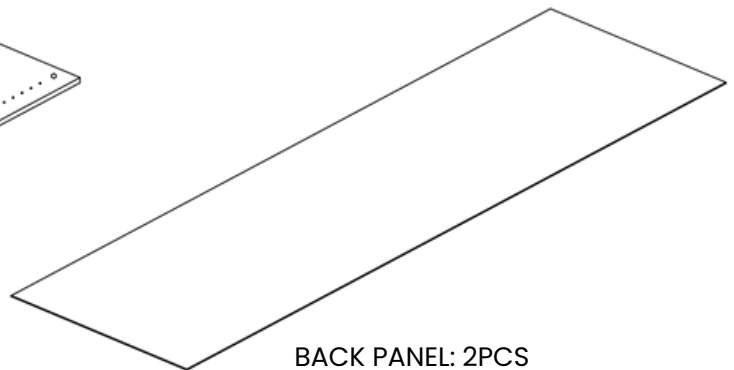
LEFT SIDE PANEL: 1PC



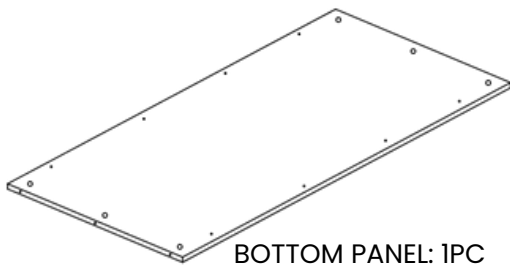
RIGHT SIDE PANEL: 1PC



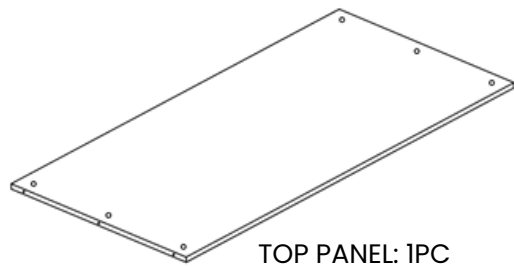
DIVIDER: 1PC



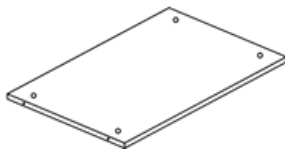
BACK PANEL: 2PCS



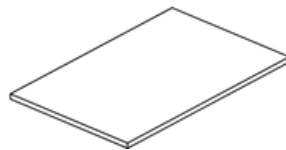
BOTTOM PANEL: 1PC



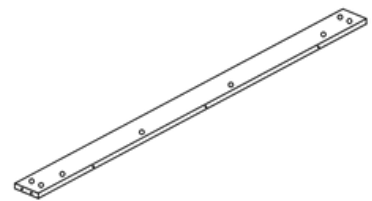
TOP PANEL: 1PC



FIXED SHELF: 2PCS



ADJUSTABLE SHELF: 2PCS



KICK BOARD: 2PCS

PARTS



CAMLOCK AND PIN
40 SETS



SHELF SUPPORT PINS
8 PCS



NAILS
(BACK PANEL)



NAILS
(BACK PANEL)



HANGING RAIL SCREW
(M4*16MM) 12 PCS
(OPTIONAL FITTING)



L-BRACKET SCREW
(M3.5*12MM) 4PCS



L-BRACKET SCREW
(M3.5*35MM) 4PCS



L-BRACKET
WALL PLUG 4PCS



L-BRACKET
2PCS



RAIL HOLDER
(OPTIONAL FITTING)

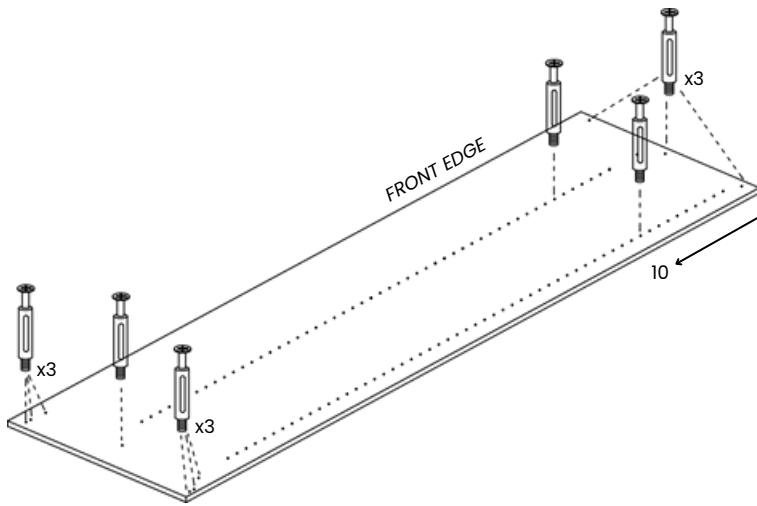


HANGING RAIL
(OPTIONAL FITTING)

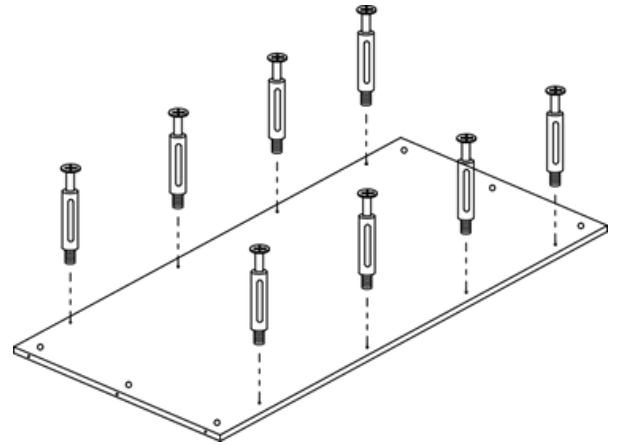


SCREWDRIVER
1PC

1: LEFT SIDE PANEL

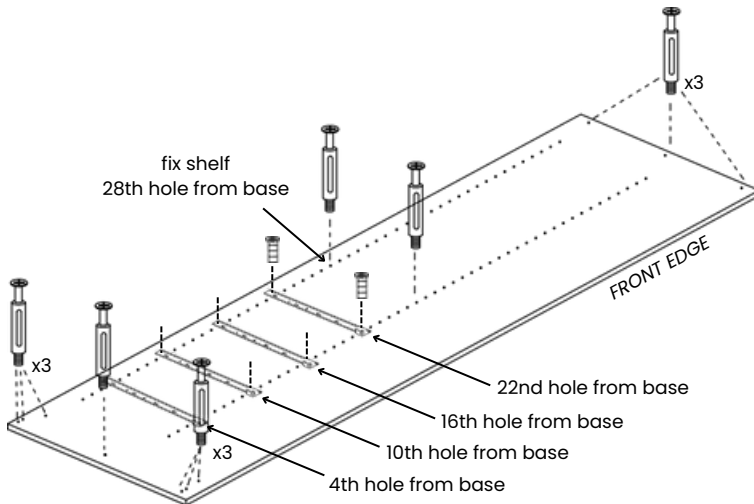


4: BOTTOM PANEL

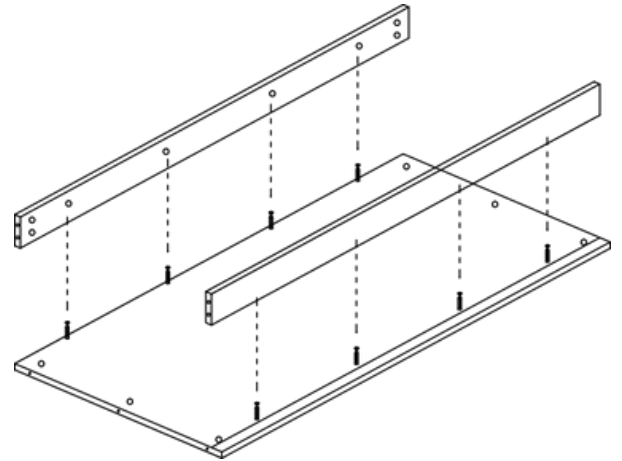


2: RIGHT SIDE PANEL

If your wardrobe contains drawers - place drawer runners as marked below using euro screws

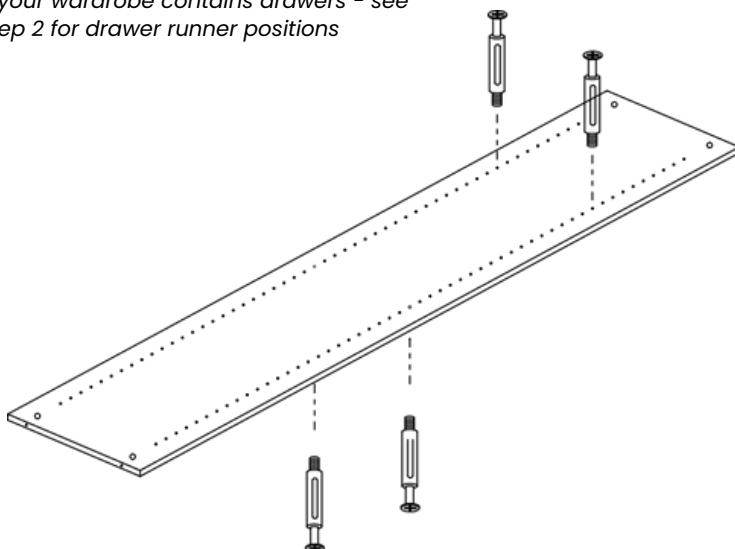


5: BOTTOM PANEL & KICK BOARDS

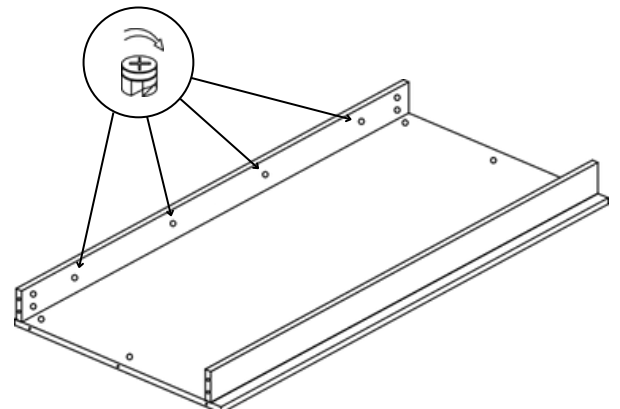


3: DIVIDER

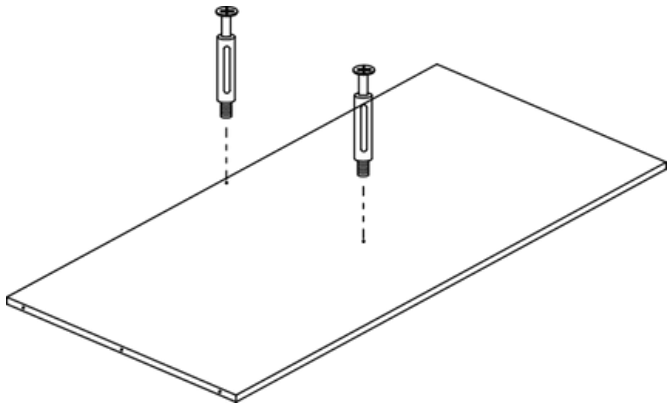
If your wardrobe contains drawers - see step 2 for drawer runner positions



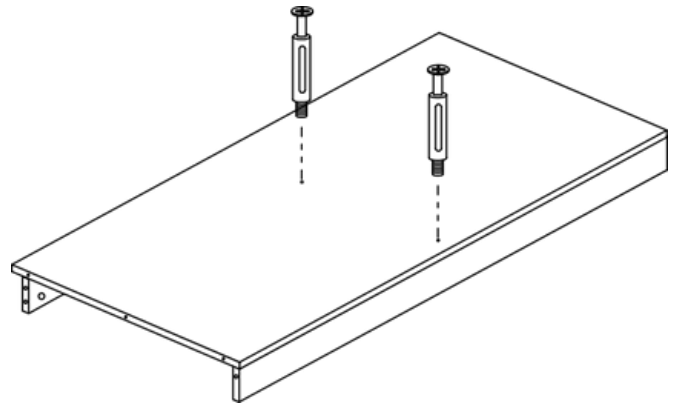
6: CAM LOCKS



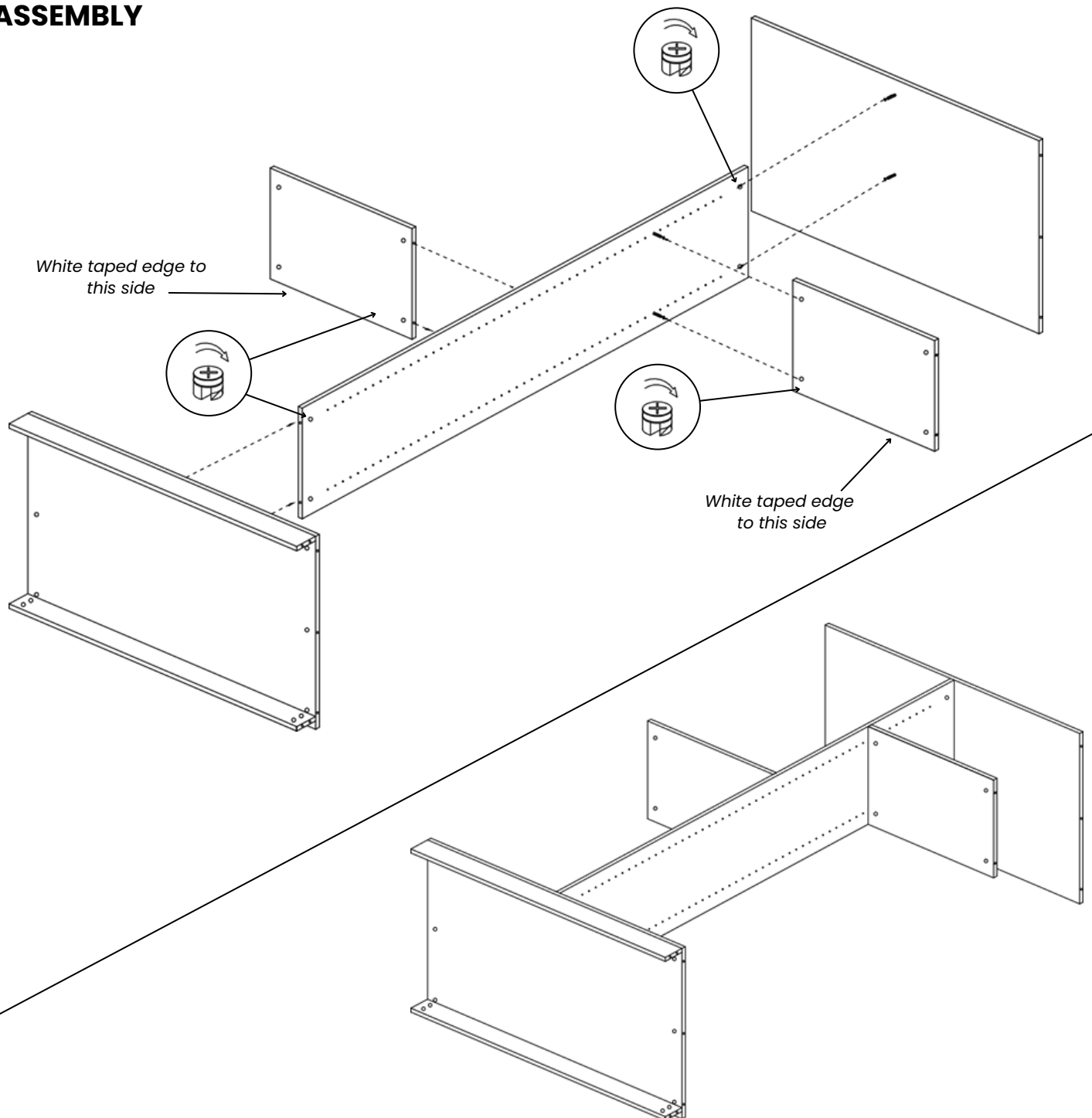
7: TOP PANEL



8: BOTTOM PANEL



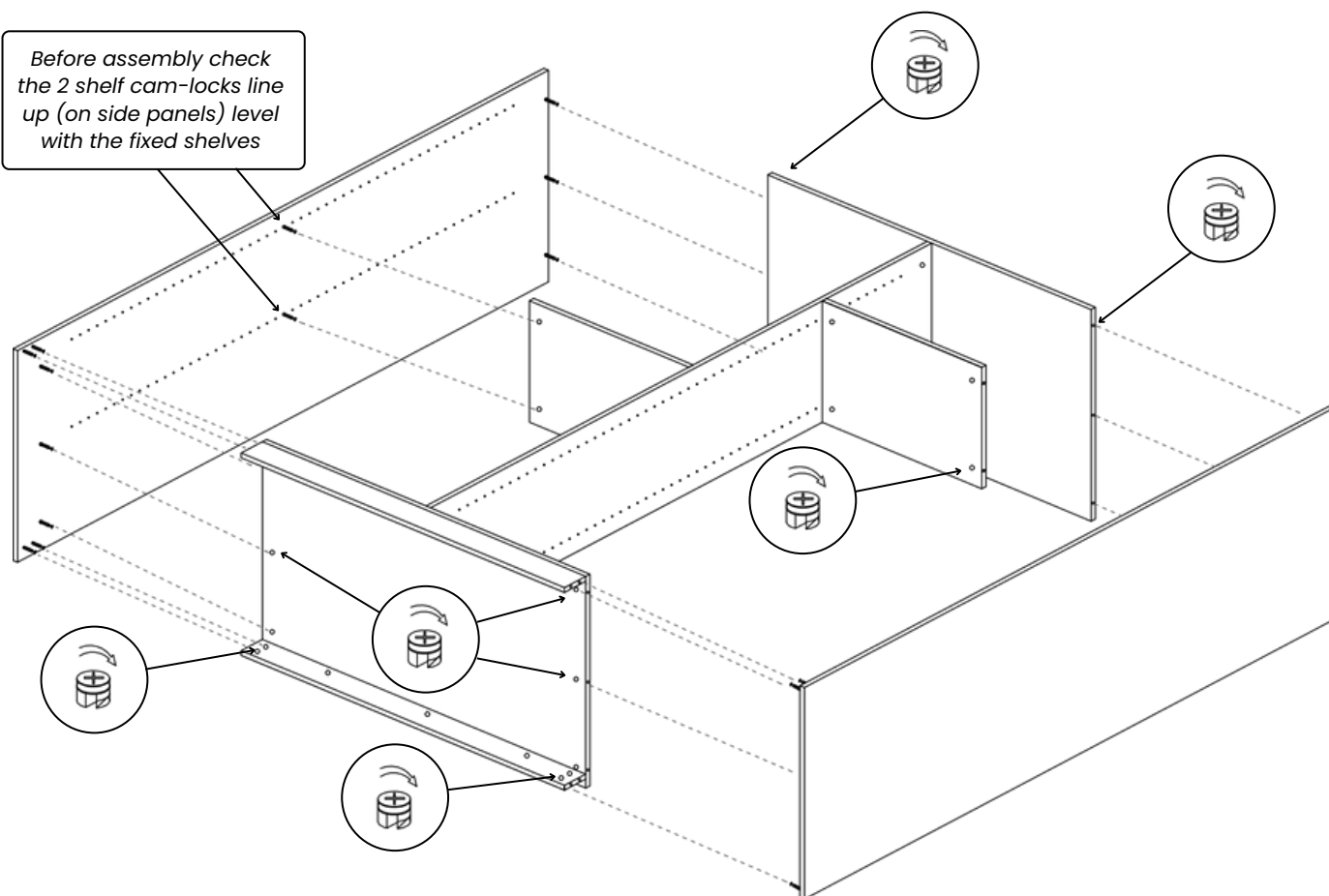
9: ASSEMBLY



10:

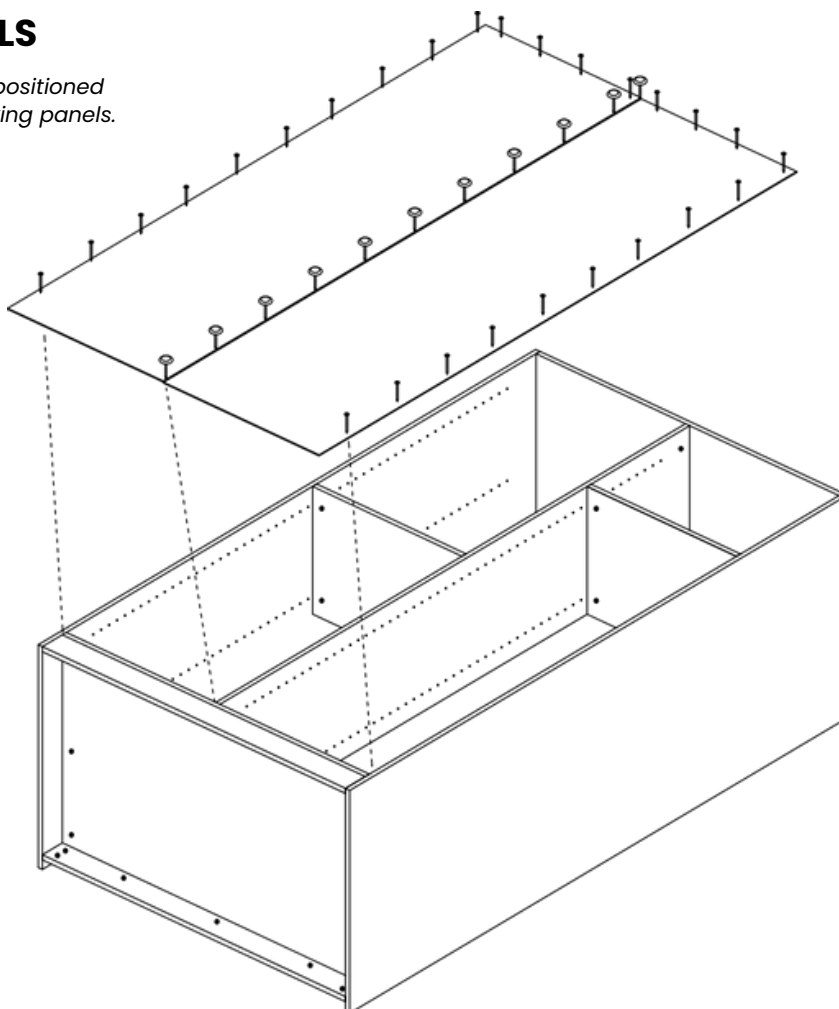
11: ASSEMBLE SIDE PANELS

Before assembly check the 2 shelf cam-locks line up (on side panels) level with the fixed shelves



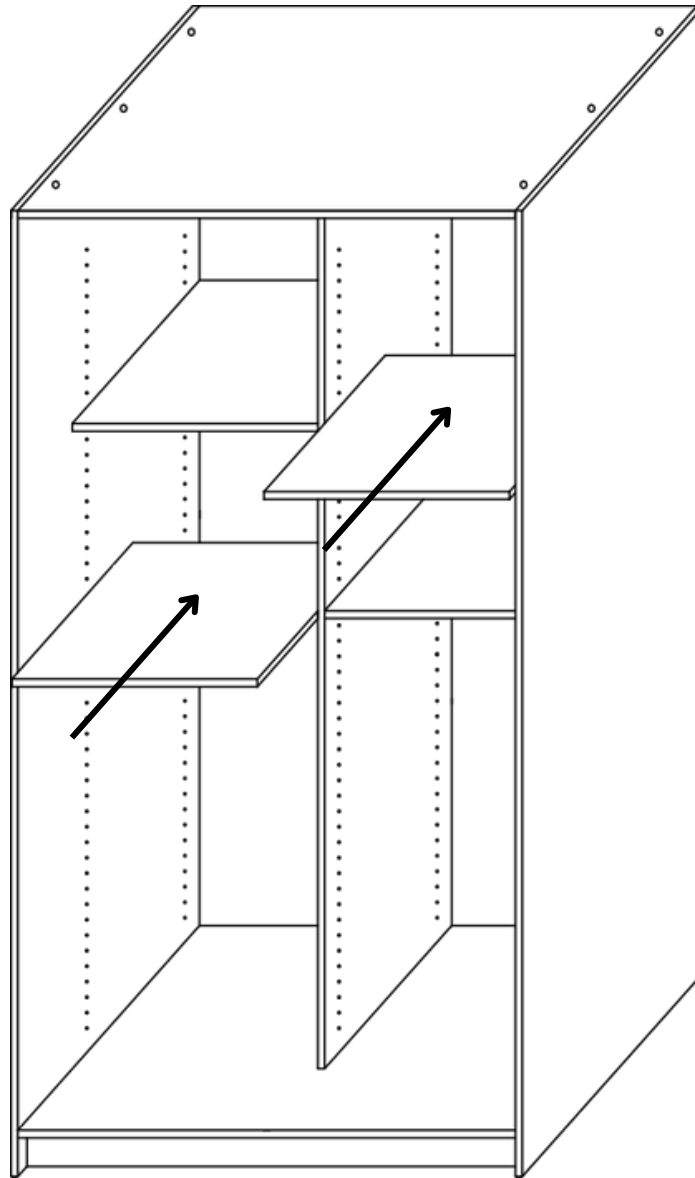
12: NAIL BACK PANELS

NOTE: Make sure the wardrobe is positioned square before nailing on the backing panels.



13: FIT ADJUSTABLE SHELVES

Using shelf support pins



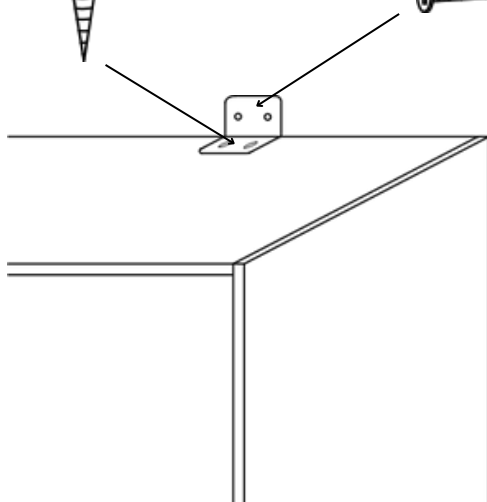
14: FIT L-BRACKETS x2

Attach to wall for support

SHORT SCREWS
M3.5*12MM

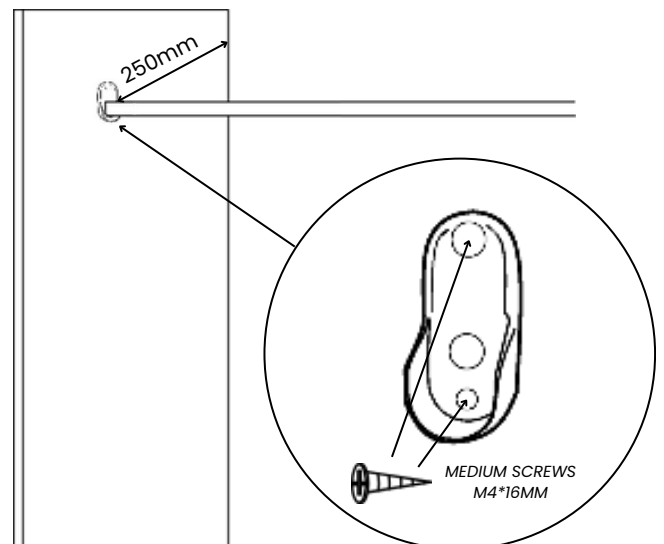


LONG SCREWS
M3.5*35MM

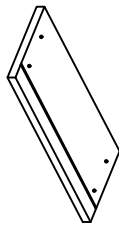


15: FIT HANGING RAIL BRACKETS

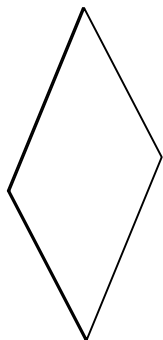
Optional fitting



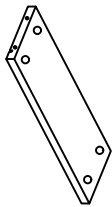
DRAWER INSTRUCTIONS



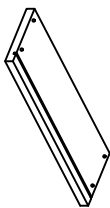
DRAWER FACING PANEL - 1 PC



DRAWER BOTTOM BOARD - 1 PC

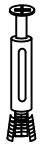


DRAWER SIDE PANEL - 2 PCS



DRAWER BACKING PANEL - 1 PC

DRAWER FITTINGS IDENTIFICATION



Cam-pins



Cam-locks

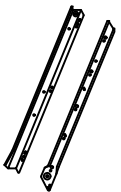


SCREW (M5*8MM)

Euro Screw for receiver runners



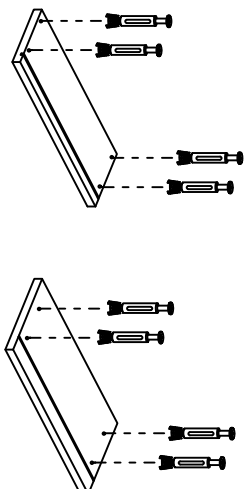
SCREW (M3.5*12MM)
for drawer runners



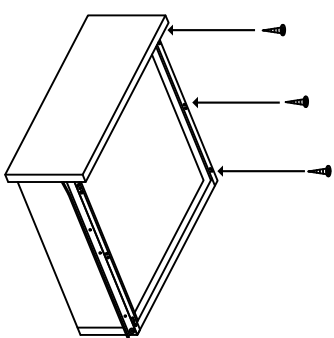
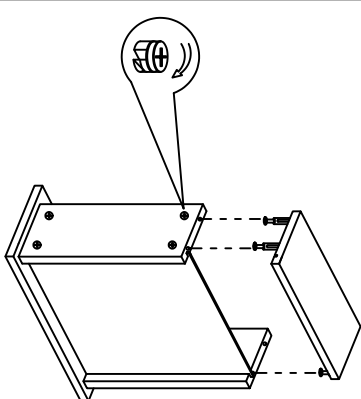
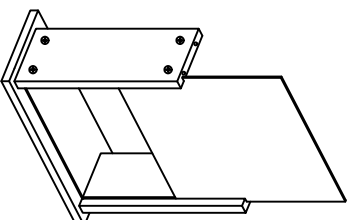
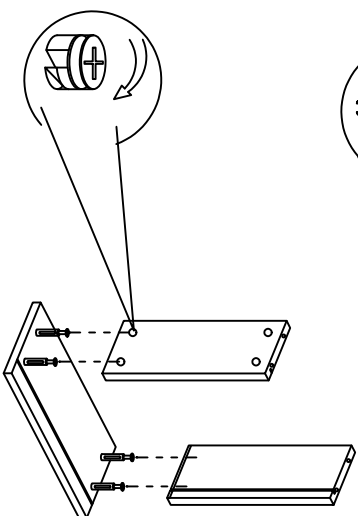
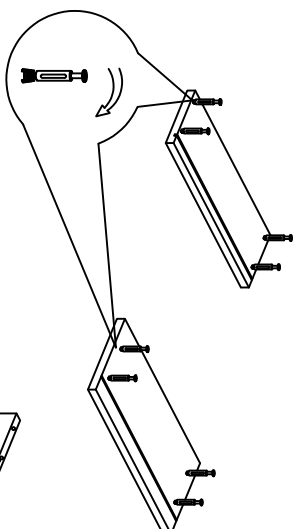
Receiver Runners



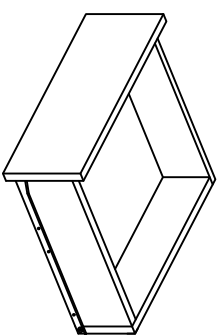
Drawer Runners



Top cam-pins in place before tightening with screwdriver



Ensure wheels are facing the back of the drawer.
Fix drawer runners with screws to underside of drawer (do not screw from the side of the drawer)



Lower drawer into receiver runner at a downwards angle then glide the rest of the drawer in. To engage the soft close feature, gently push the drawer fully inward.

SLIDING DOORS INSTALLATION INSTRUCTIONS

Once you have completed the wardrobe build it's an easy six steps to finish with the installation your doors.

NOTE: Door hardware is supplied in the track pack.



- 1** Position the top door track flush with the front of the wardrobe and secure using the screws provided.



- 2** Position the bottom track ensuring it is placed 20mm in from the front of the wardrobe before securing.



- 3** Slip top of door into rear channel then set bottom onto the rear floor track. Repeat for the second door using front channel and track.



- 4** Lift the door and position its bottom wheels into their corresponding guide on the wardrobe floor.



- 5** Adjust the ride height of each door with a philips screwdriver (clockwise to increase height)



- 6** To control movement, peel adhesive & place the brake into each track where you want the wheels on top of the doors to remain stationary.